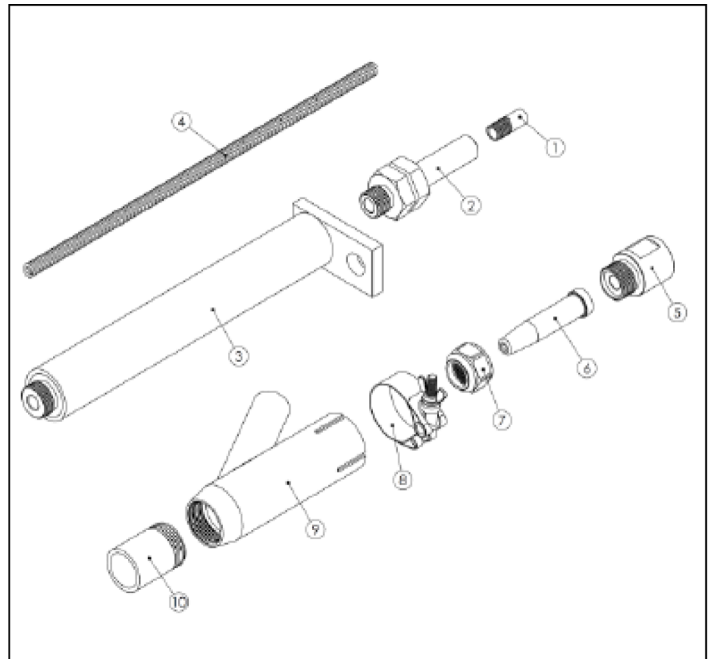
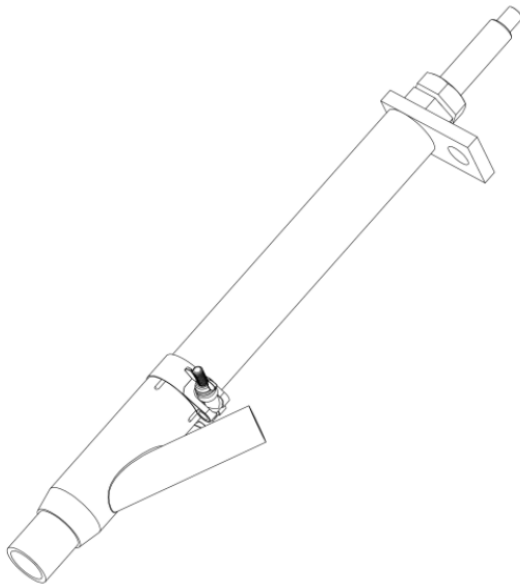


## Parts and Consumables

### Sub merged arc-welding torch



Item No.	Part No.	Description	Qty
1	049 740	Inlet Wire Guide, 5/32" ~ 1/4"	1
	081 925	Inlet Wire Guide, 1/16" ~ 1/8"	1
2	192 132	Inlet Guide Adaptor	1
3	192 131	Torch Assy	1
4	192 139	Liner, 1/16" ~ 1/8"	1
	192 687	Liner, 5/32" ~ 3/16"	1
	200 754	Liner, 7/32"	1
5	192 133	Tip Extender	1
6	-	Contact Tip, 5/64", 3/32", 1/8", 5/32", 3/16", 7/32"	1
7	192 135	Locking Nut	1
8	192 758	Securing Clamp	1
9	192 137	Flux Nozzle Assy	1
10	192 138	Flux Nozzle	1
-	OBT-1200	OBT-1200 Torch, Complete Set	1